



Anemometer PCE-WS CR

PCE-WS range of PCE Instruments

Wind Speed sensor designed for different industries and sector

PCE-WS CR is a wind speed sensor equipped with a relay output that is activated when the wind reaches a preconfigured speed.

Industrial design for extreme environments

Configurable relay output

Stainless Steel bearings

Measurement range up to 180 km/h

Made in Spain

APPLICATIONS

PCE-WS CR has been designed to be used in industrial applications: cranes, solar panels, wind turbines, weather stations, greenhouses, irrigation systems...
The wind sensor must be fixed on a vertical position.

OPERATING

Up to 180 km/h of wind speed.

Output activation:
After a second*² of wind speed over the set value.

Output deactivation:
Wind speed 1km/h*³ below the set value.

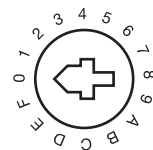
Minimum duration of the output pulse:
5 seconds.

The output is not latched.*⁴

*¹ NO output by default. For a NC output, contact.
*² Output activation temporary hysteresis is factory configured. For other values, contact. (Rango: 0-2047 segundos)
*³ Output deactivation hysteresis is factory configured. For other values, contact. (Range: 1-5 km/h)
*⁴ No alarm latching by default. For alarm latching, contact. (Latching time, range: 0-254 minutes)

Relay Output Configuration. Speed threshold.

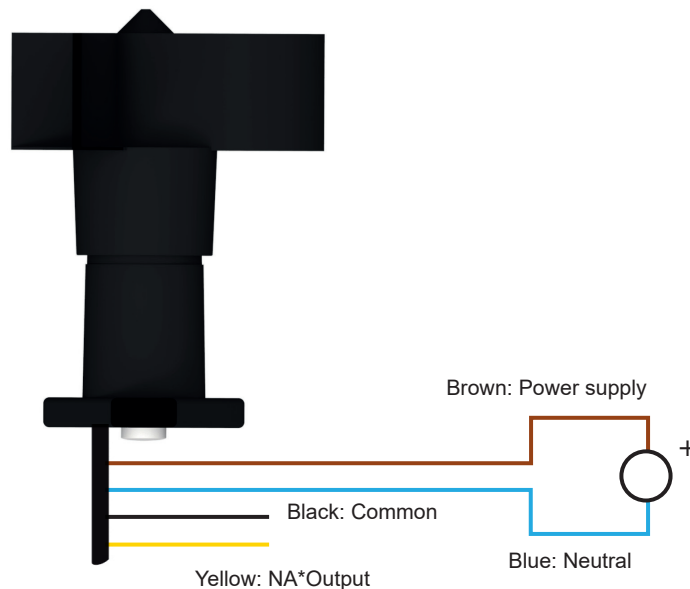
- | | |
|------------|------------|
| 0 — 20km/h | 8 — 60km/h |
| 1 — 25km/h | 9 — 65km/h |
| 2 — 30km/h | A — 70km/h |
| 3 — 35km/h | B — 75km/h |
| 4 — 40km/h | C — 80km/h |
| 5 — 45km/h | D — 85km/h |
| 6 — 50km/h | E — 90km/h |
| 7 — 55km/h | F — 95km/h |



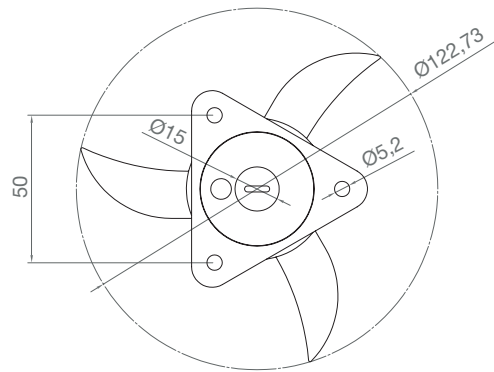
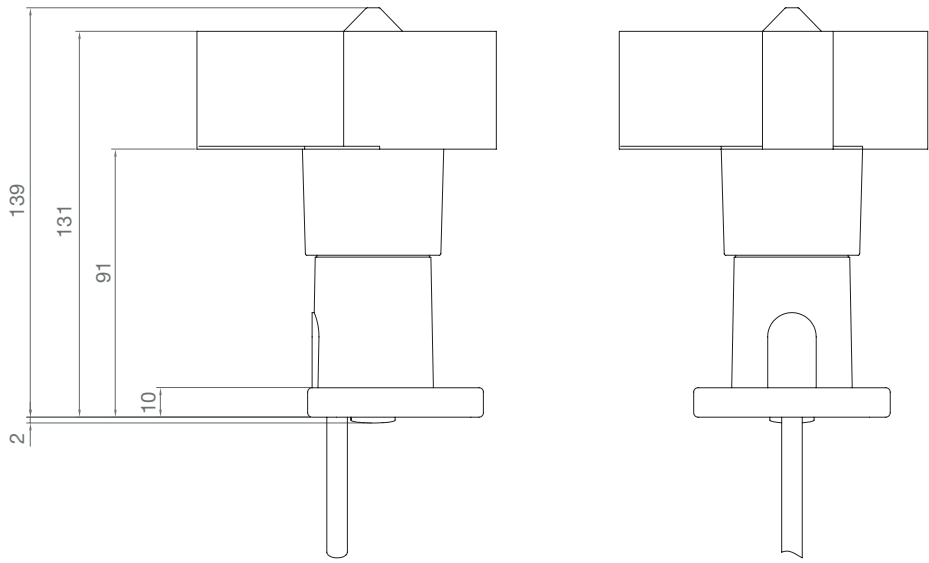
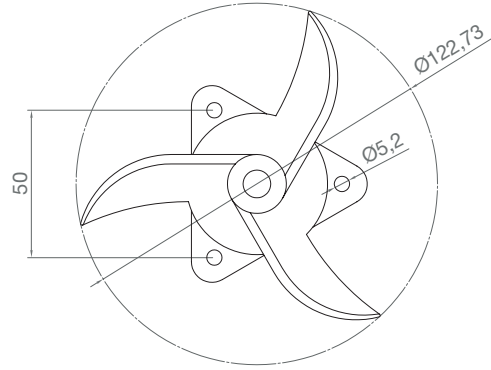
Rotating switch

To configure the speed threshold for the relay activation, unscrew the lid in the anemometer base to access the rotating switch.

CONNECTION



DIMENSIONS



TECHNICAL FEATURES

Electrical features

Power supply	12...24 Vdc
Maximum power consumption	<1 W
Output type	Relay contact (NA dry contact)
Contact type	8A 250Vac

Measurement

Range	3-180 km/h
Starting speed	8 km/h
Survival speed	200 km/h
Accuracy	1km/h (3-15 km/h) 3% (15-180Km/h)

General

Material	PA + FV
Bearings	Stainless steel X65Cr13
Connection type	20m cable (4x0.75mm ²)
Weight (with 20m cable)	1800 g
Weight (without cable)	150 g
Dimensions	125x139 mm
Storage temperature	-35°C +80°C
Working temperature with no ice	-20°C +70°C
EMC	EN 61000-6-2:2001 EN 55022:2001, Class B
Protection	IP54 (UNE 20324:1993)

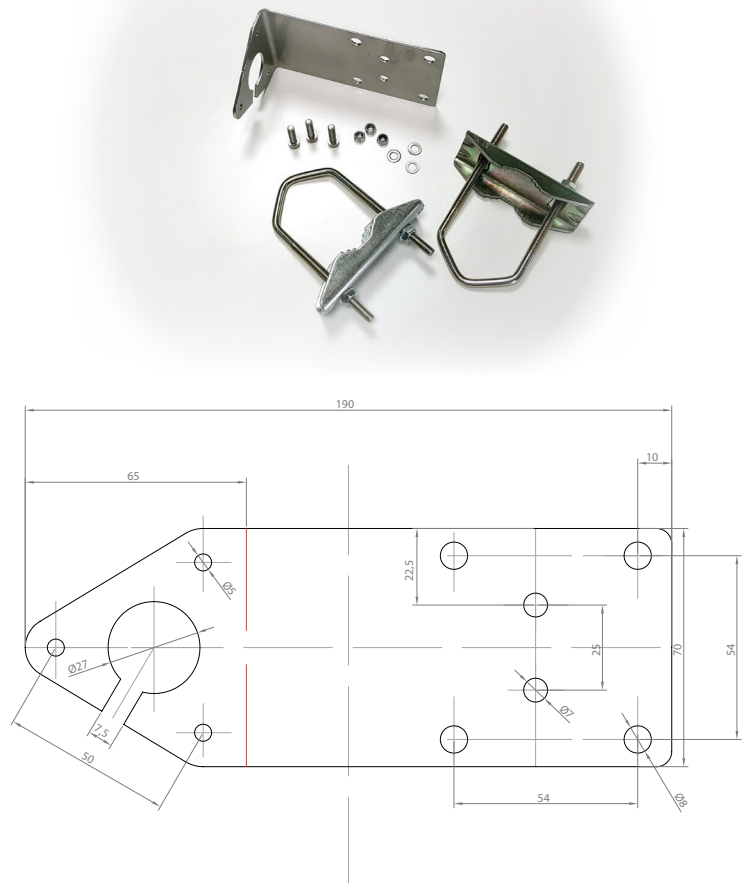
REFERENCES AND ACCESORIES

References

PCE-WS CR	Configurable relay output anemometer. 180km/h full scale. Cable 20m.
-----------	---

Accessories

PCE-WS/ MOUNT	Optional mounting kit for PCE-WS anemometers & PCE-WV wind vanes
------------------	---



Disposal

For the disposal of batteries in the EU, the 2006/66/EC directive of the European Parliament applies. Due to the contained pollutants, batteries must not be disposed of as household waste. They must be given to collection points designed for that purpose.

In order to comply with the EU directive 2012/19/EU devices must be properly disposed of in accordance with this regulation, we give them to a recycling company which disposes of the devices in line with law. For countries outside the EU, batteries and devices should be disposed of in accordance with your local waste regulations. If you have any questions, please contact PCE Instruments.



Contact information for each country and user manuals in various languages can be found on our website: www.pce-instruments.com



All dimensions and sizes are approximate. Specifications and prices are subject to change without notice.